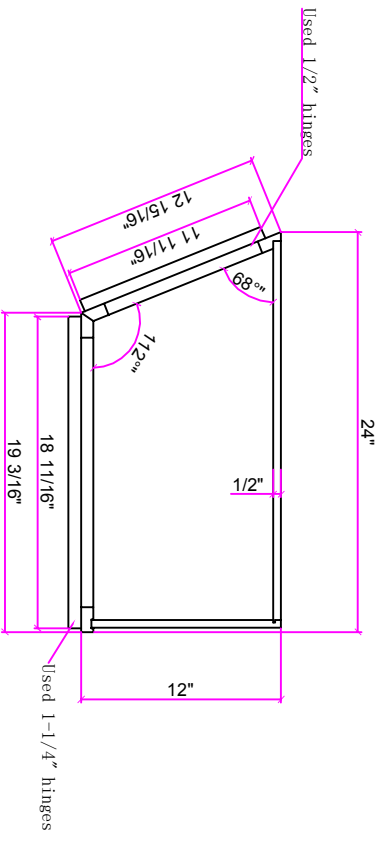
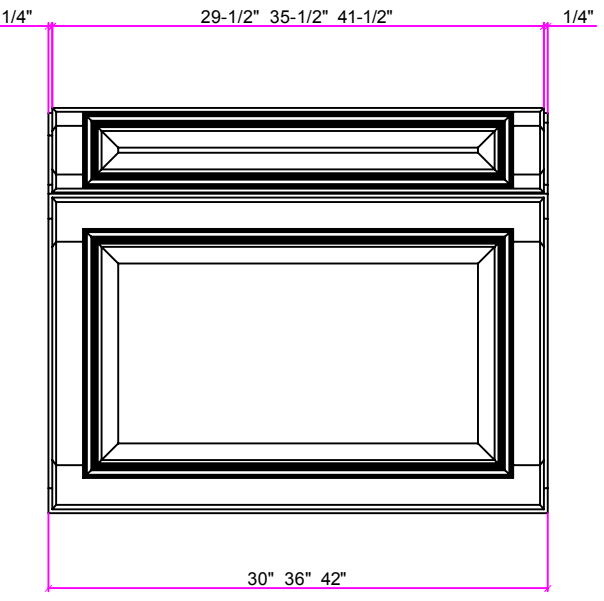
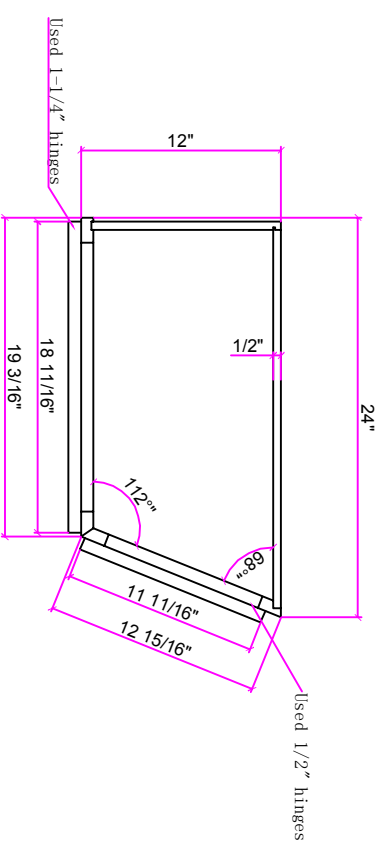
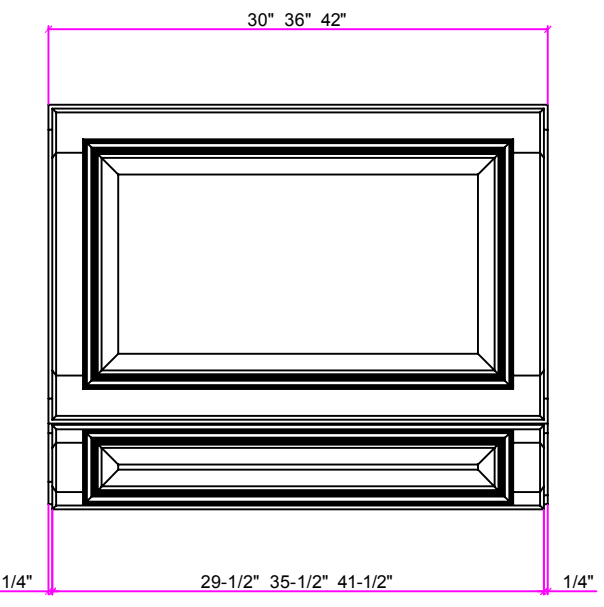


Note:
 2 pcs adjustshelves for WAC30 & WAC36
 3 pcs adjustshelves for WAC42



L



R

REVISIONS

GHI

BDM & TVMM

DRAWN BY:
 CHARLES WANG

DATE: 1.19.2017

SCALE: 1/4" = 1'-0"

SHEET: 8.5" X 11"

WAC30,36,42