

ASSEMBLY INSTRUCTIONS

BASE CABINET (B09,B12,B15,B18,B21)

CABINET PARTS LIST

**A-Door & Face Frame B-Side Panels(2) C-Shelf D-Bottom Panel
E-Back Panel H-Toe Kick G-Drawer Parts**

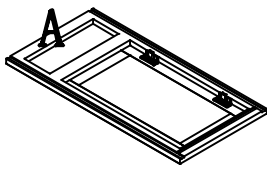
DRAWER PARTS LIST

a-Front b-Sides(2) c-Bottom d-Back e-Drawer Slides(1 pr) f-Screws(Ø3*30-8)

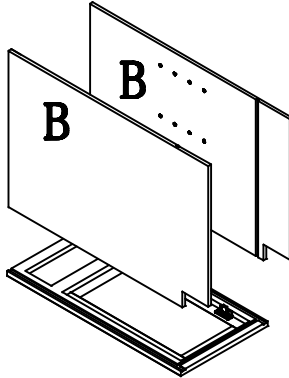
HARDWARE PARTS LIST

**1. Shelf Clips (4) 2. Corner Braces(4) 3. Screws(Ø3.5*25-4) 4. Screws(Ø3*12-8)
5. Screws(Ø3*10-2)**

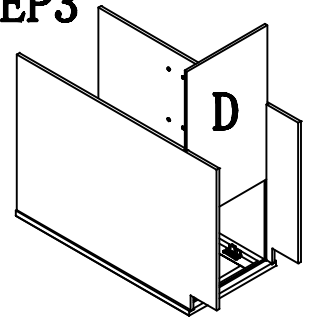
STEP1



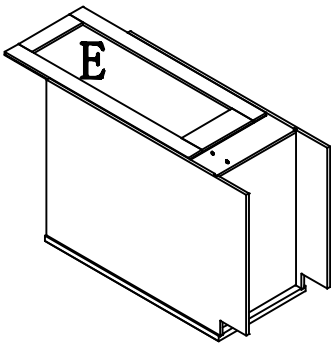
STEP2



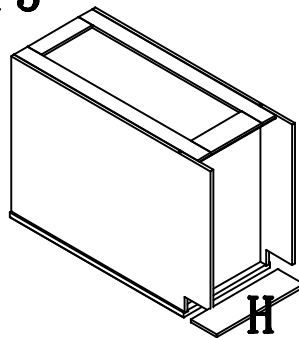
STEP3



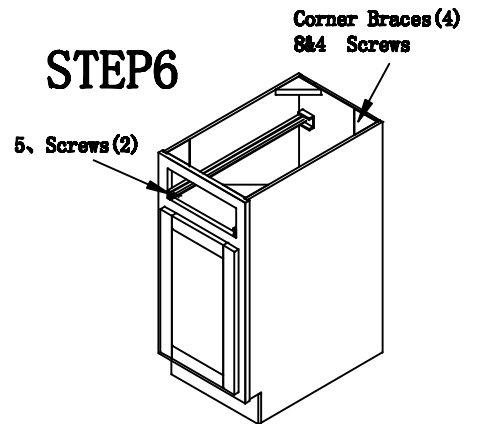
STEP4



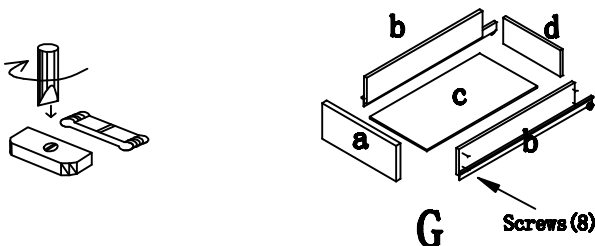
STEP5



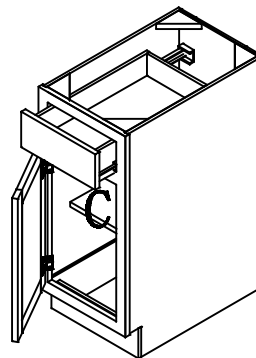
STEP6



STEP7



STEP8



Your cabinet is complete. For installation, consult a professional contractor or building supplier for the proper installation method or materials to be used for your existing wall condition (e.g., wood, concrete, tile, etc.).