

ASSEMBLY INSTRUCTIONS

PANTRY CABINET (WP2484, WP2496)

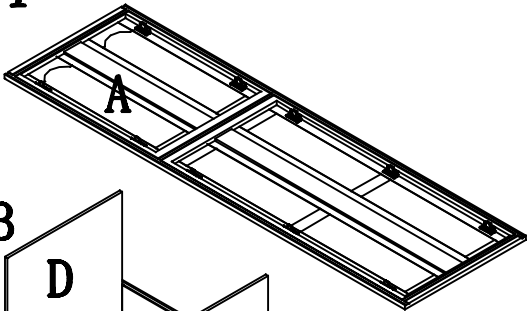
CABINET PARTS LIST

**A-Doors & Face Frame B-End Panels(2) C-Shelves(4) D-Top/Medium/Bottom Panels(3)
E-Back Panel H-Toe Kick**

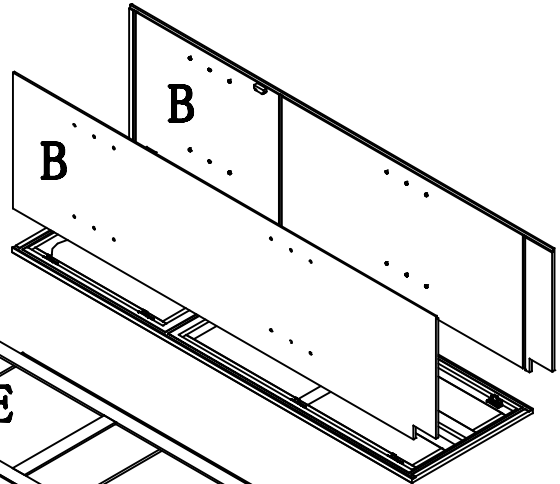
HARDWARE PARTS LIST

1. Shelf Clips(16)

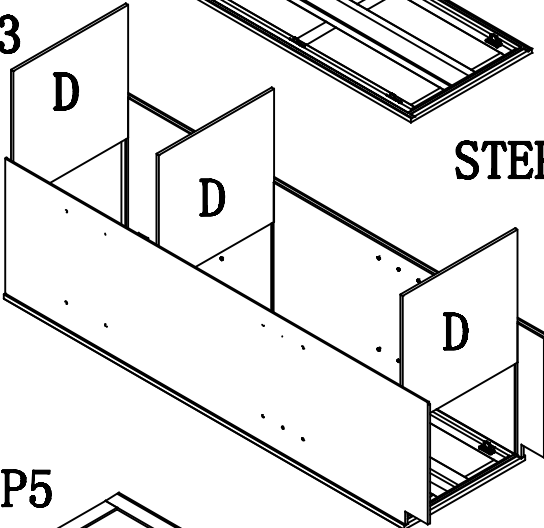
STEP1



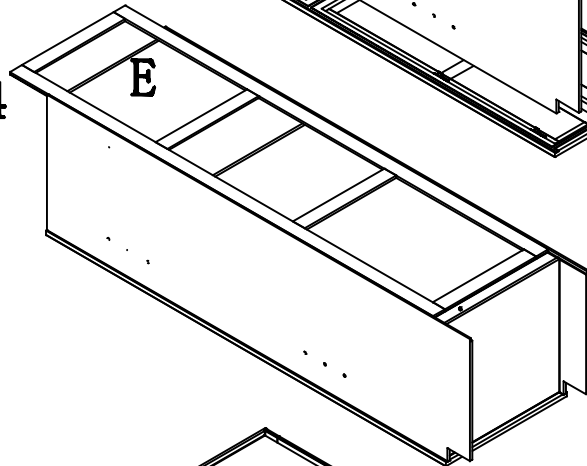
STEP2



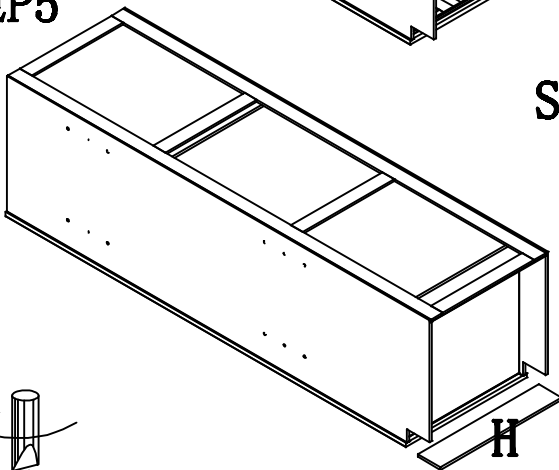
STEP3



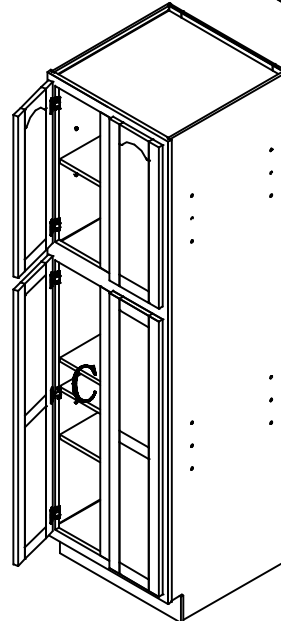
STEP4



STEP5



STEP6



Your cabinet is complete. For installation, consult a professional contractor or building supplier for the proper installation method or materials to be used for your existing wall condition (e.g., wood, concrete, tile, etc.).