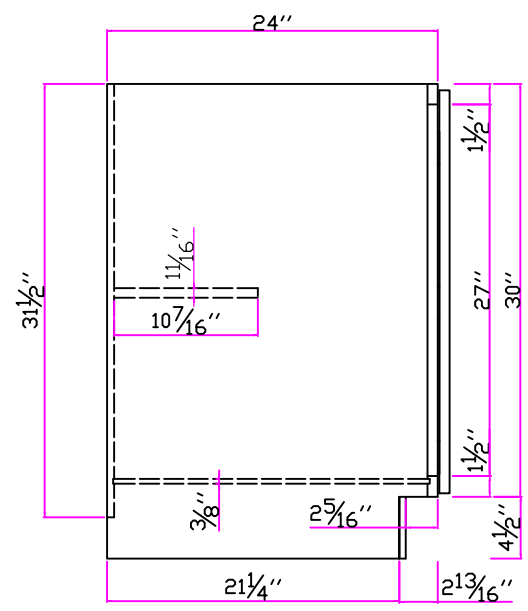
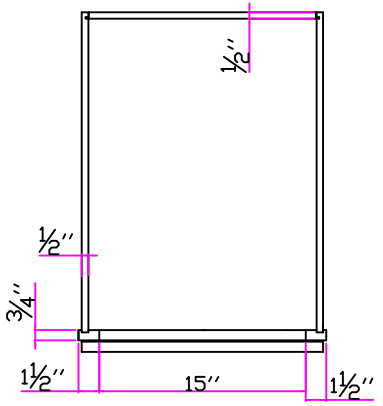
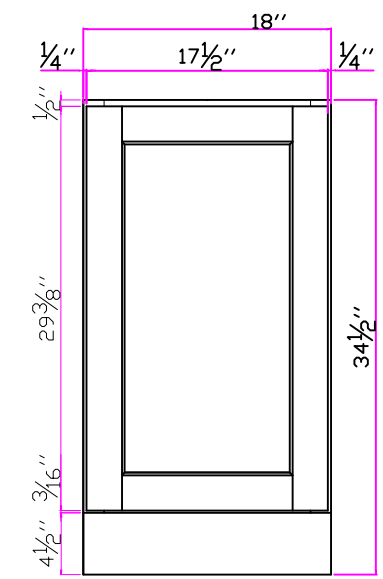


REVISIONS



FTS

B09-FH

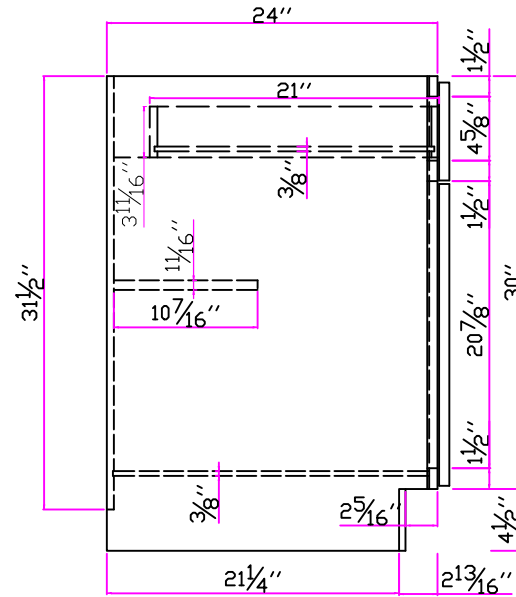
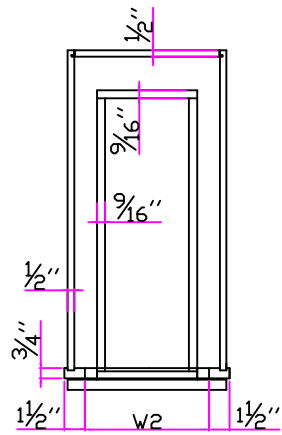
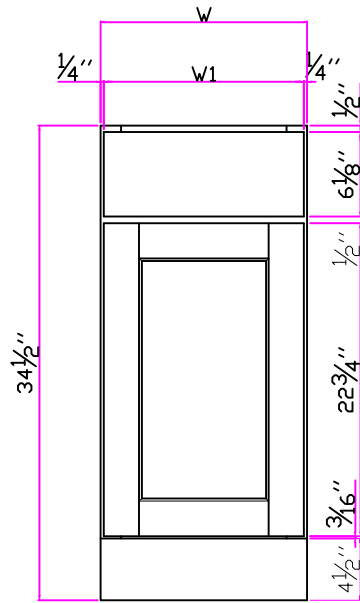


REVISIONS



FTS

B18-FH

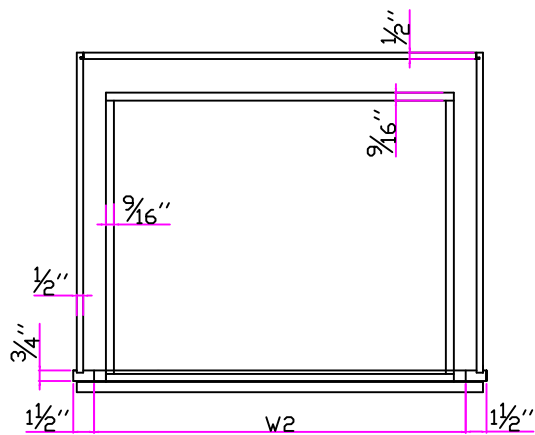
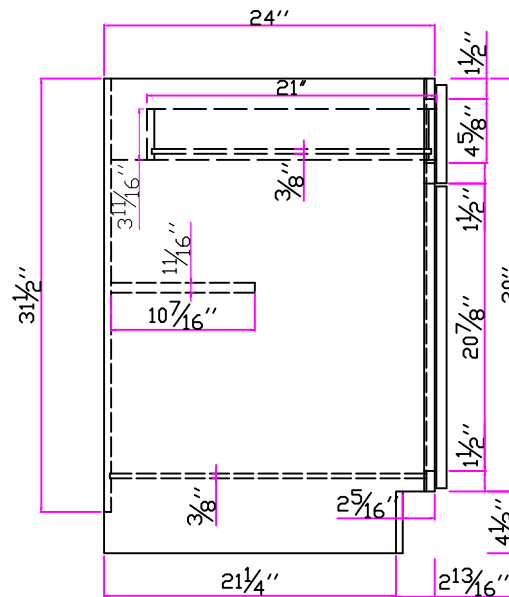
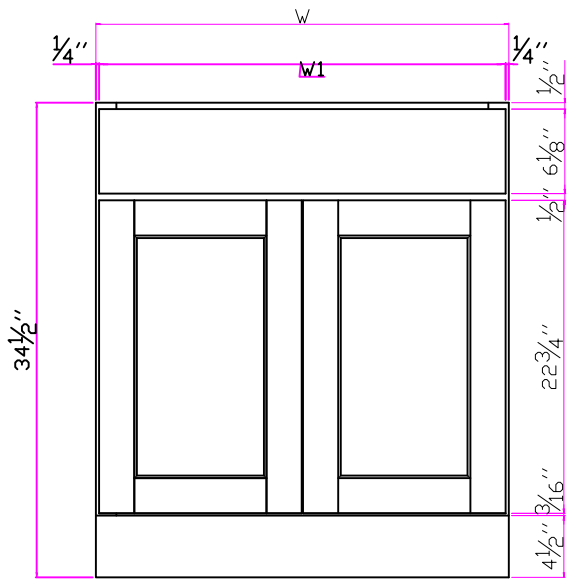


REVISIONS



FTS

B12-B21

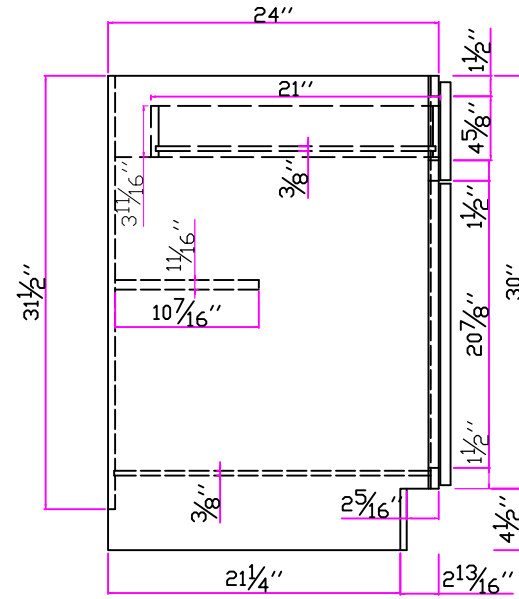
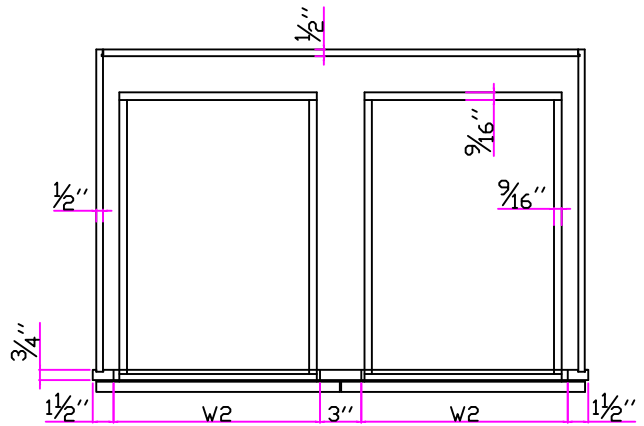
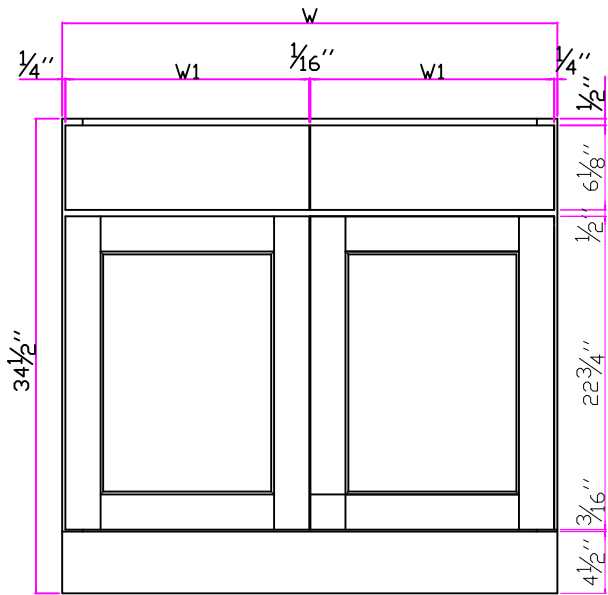


REVISIONS



FTS

B24-B30

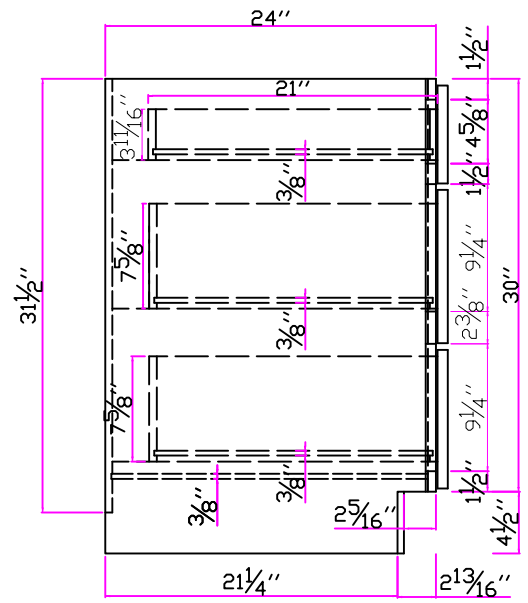
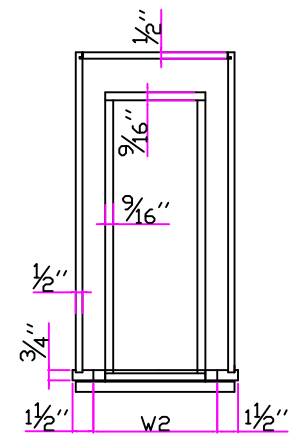
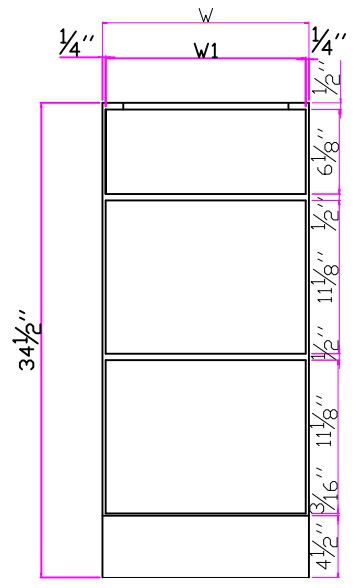


REVISIONS



FTS

B33-B36

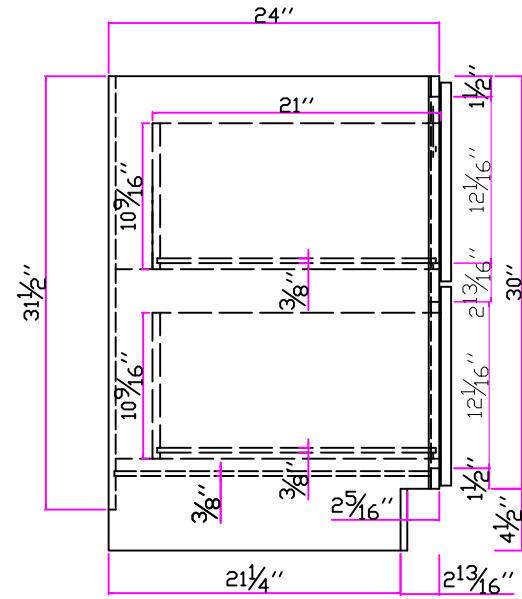
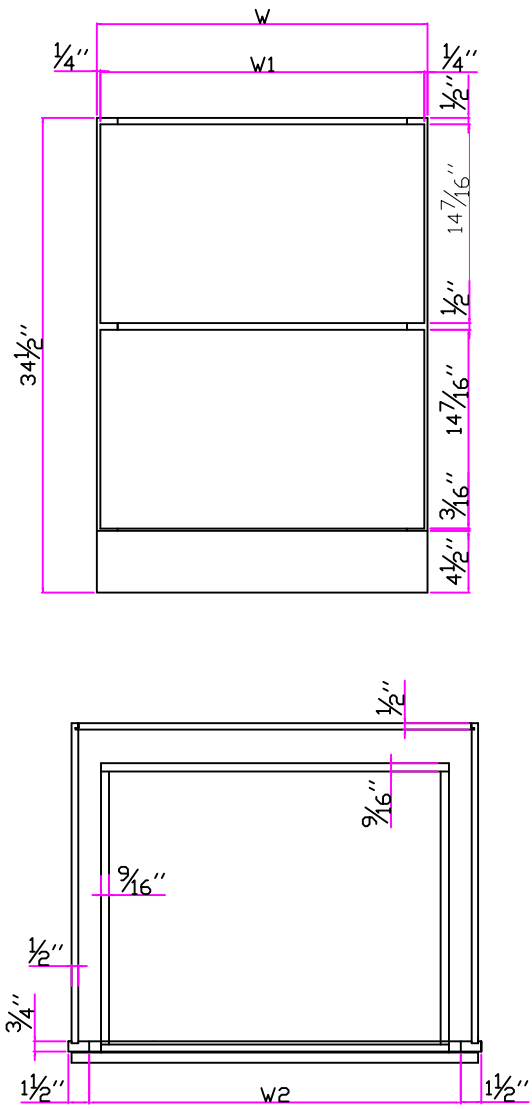


REVISIONS



FTS

DB15-DB30

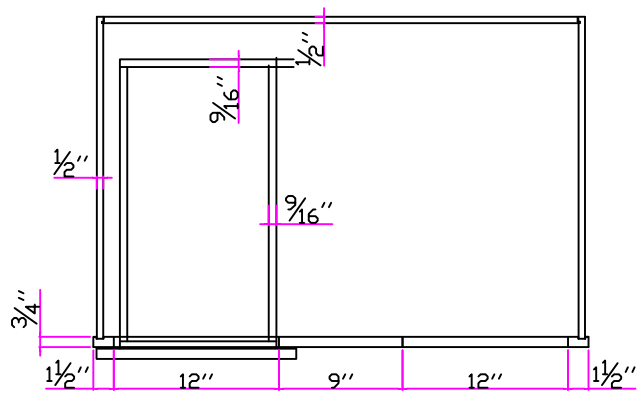
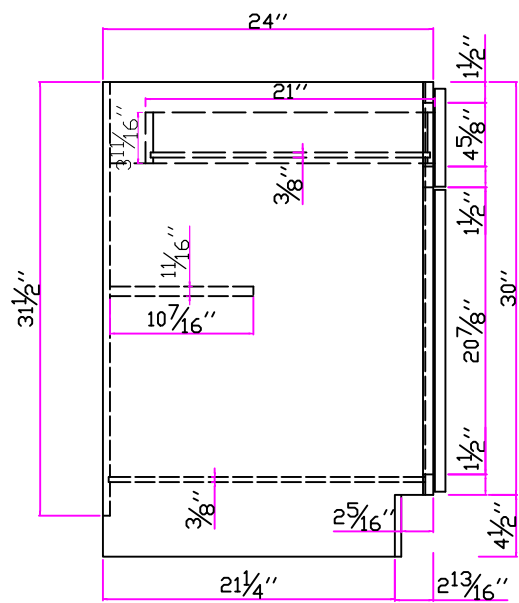
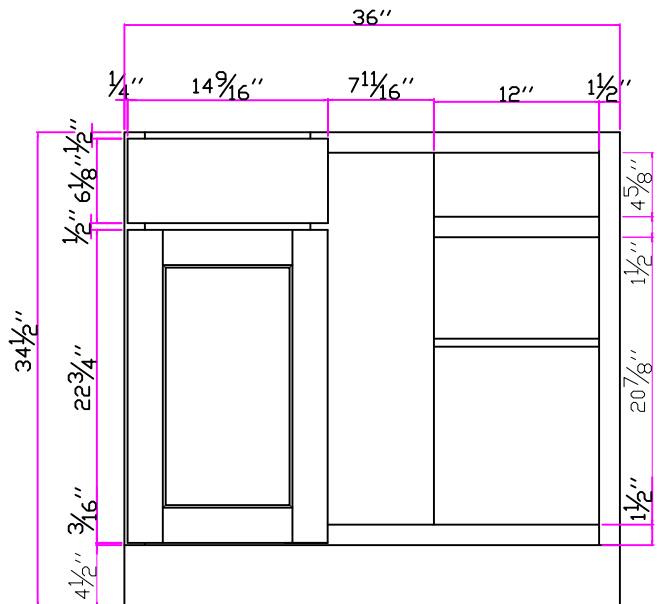


REVISIONS



FTS

DB24-2
DB30-2

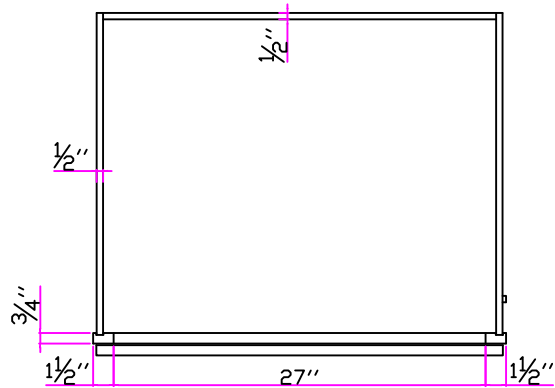
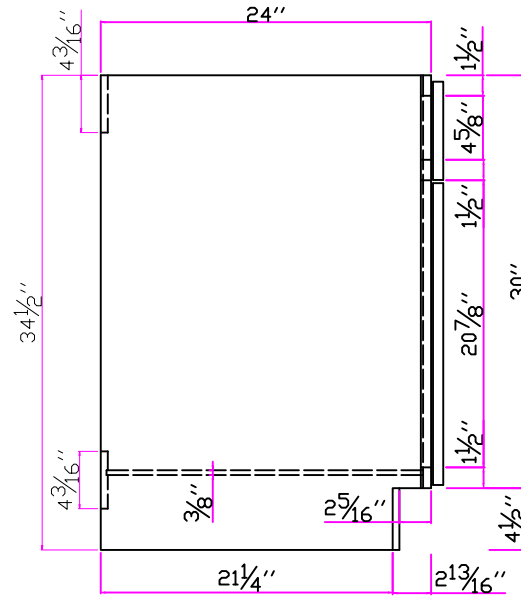
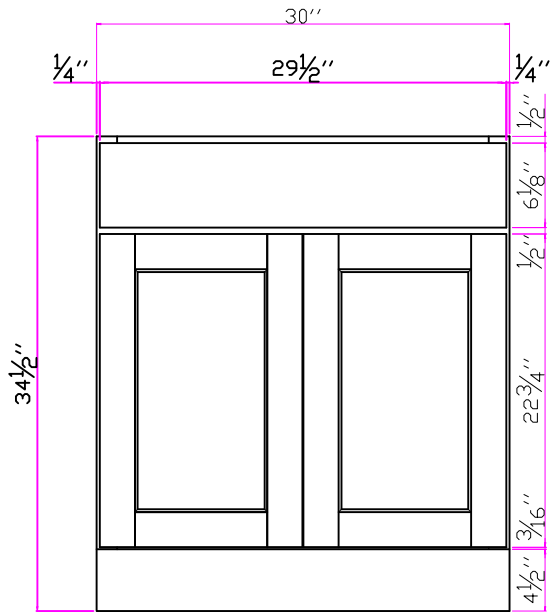


REVISIONS



FTS

BBC42-45



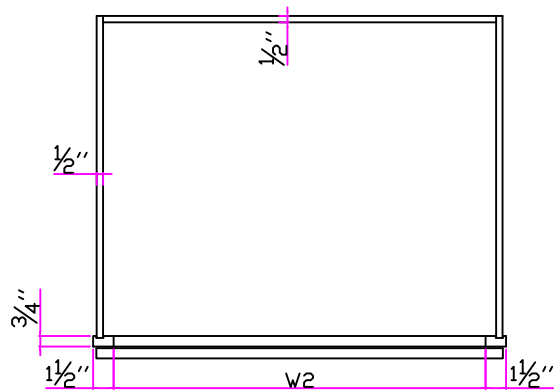
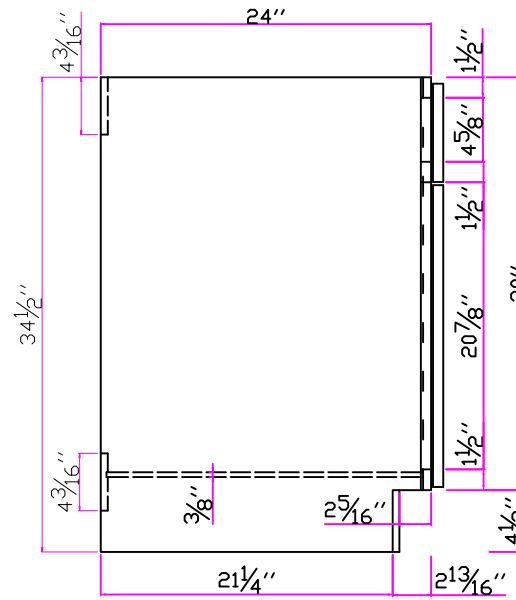
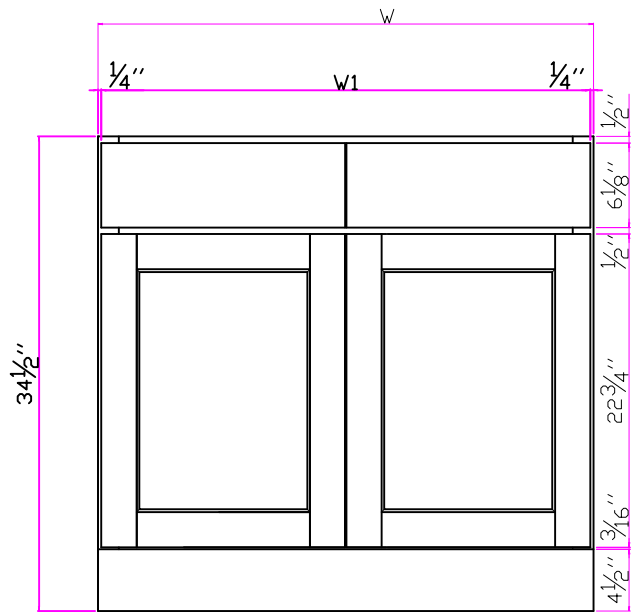
REVISIONS

NO.	DESCRIPTION



FTS

SB30

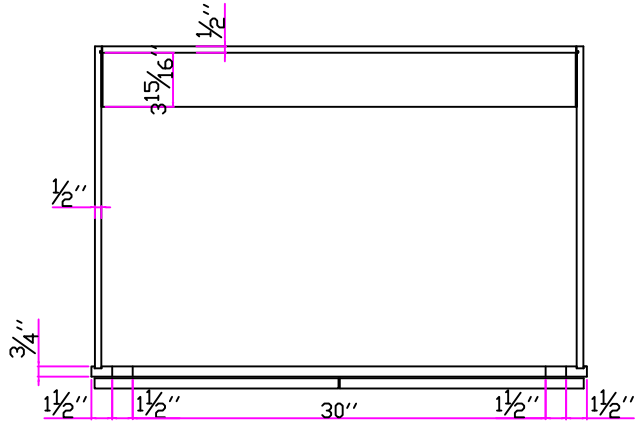
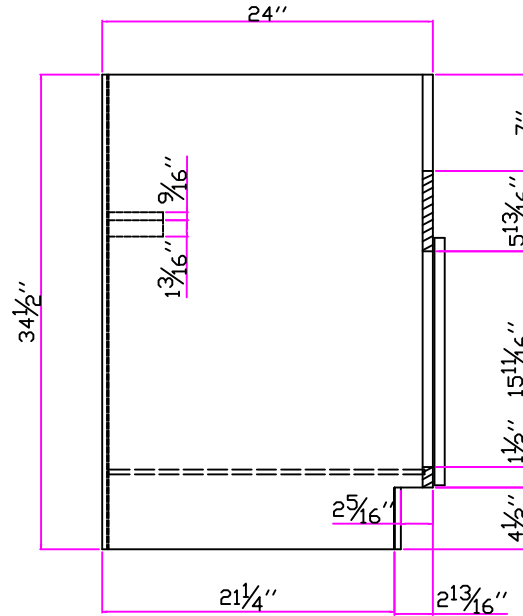
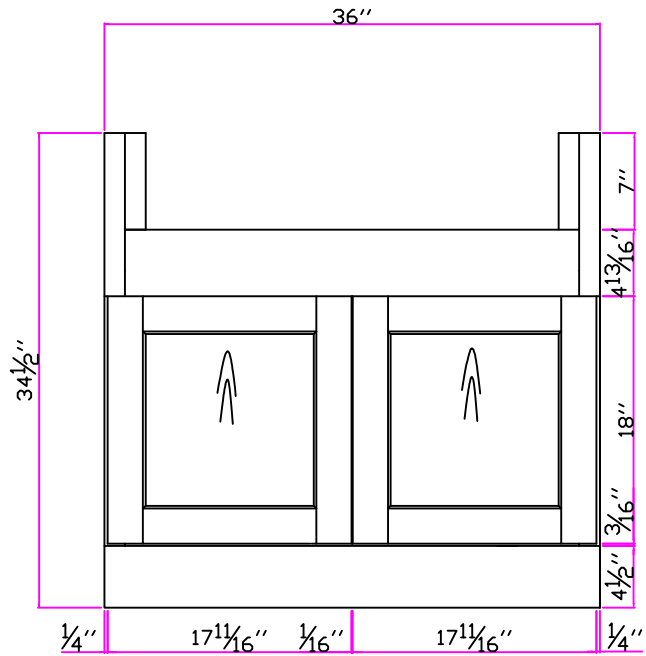


REVISIONS



FTS

SB33-SB42

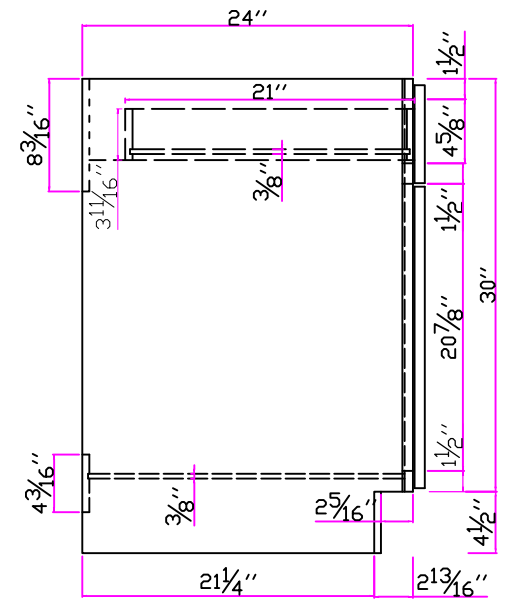
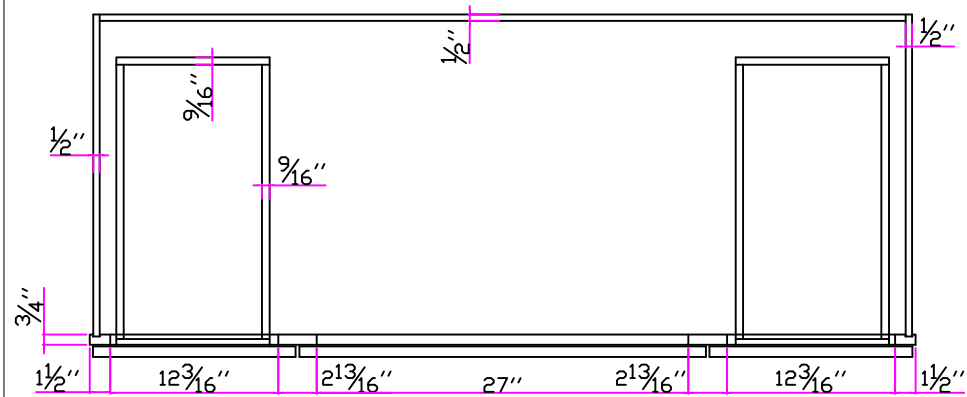
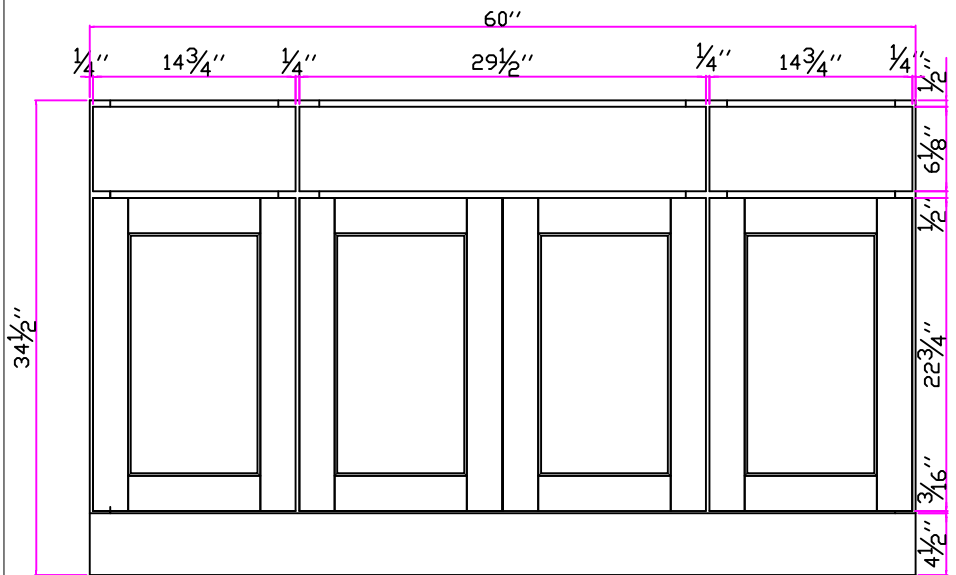


REVISIONS



FTS

FSB36

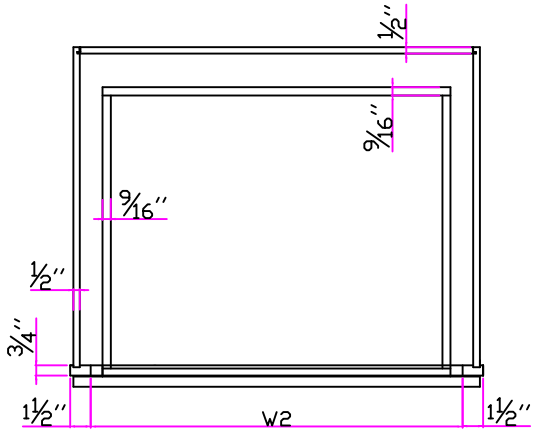
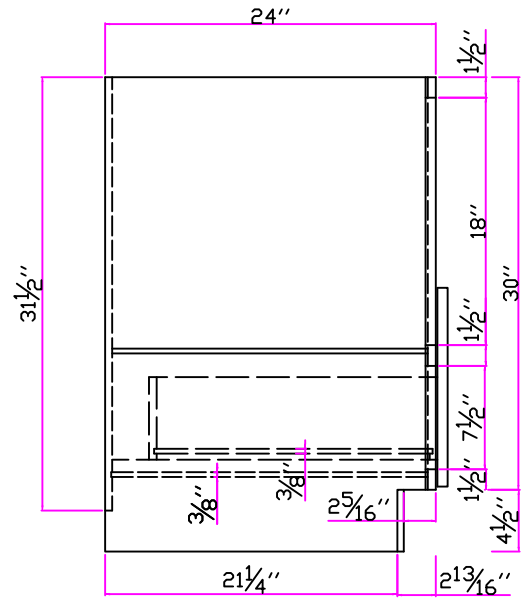
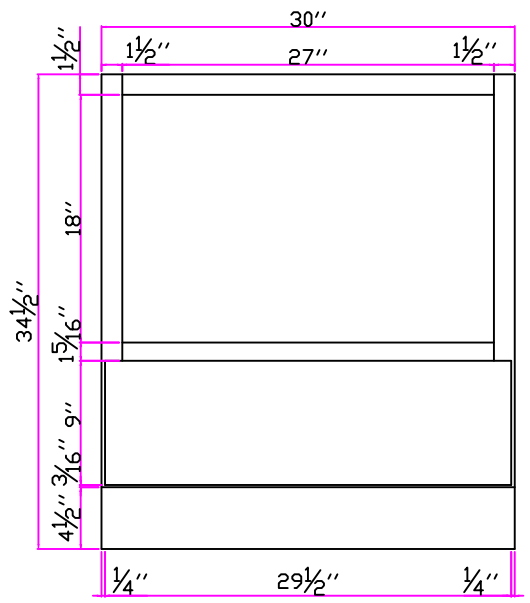


REVISIONS



FTS

SB60

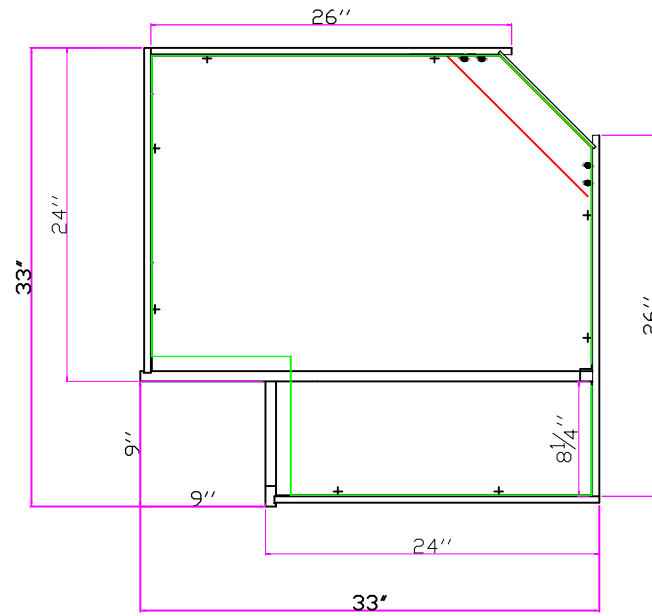
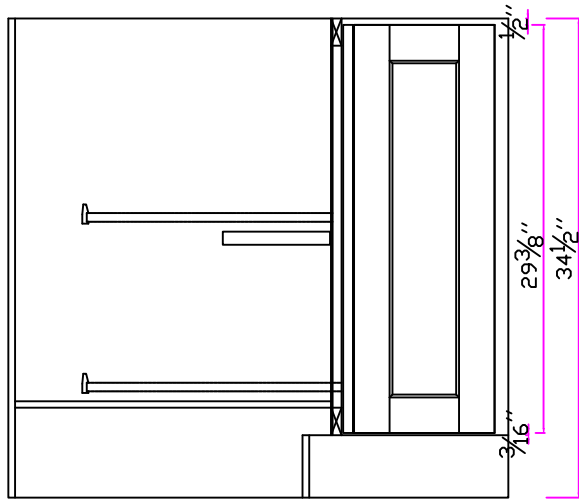


REVISIONS



FTS

MB30

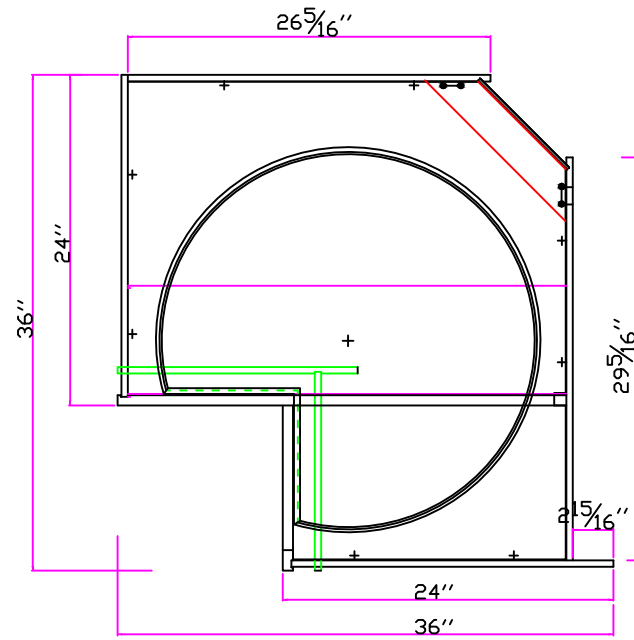
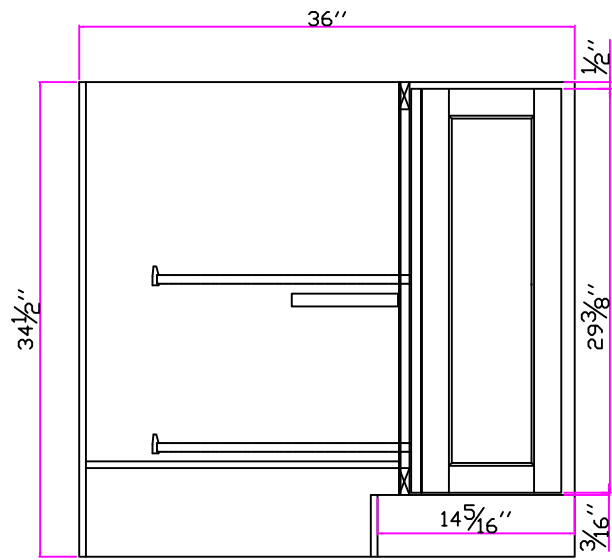


REVISIONS



FTS

ER3309

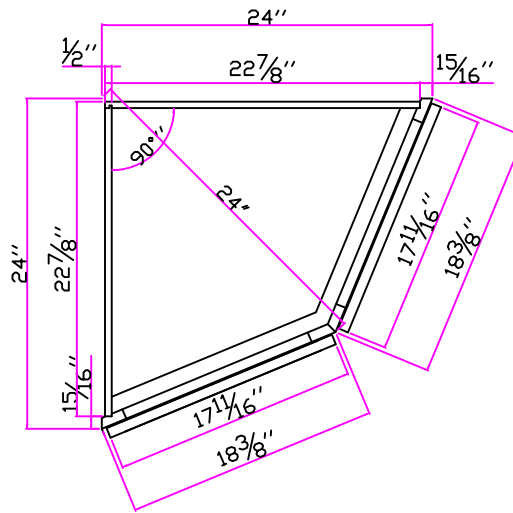
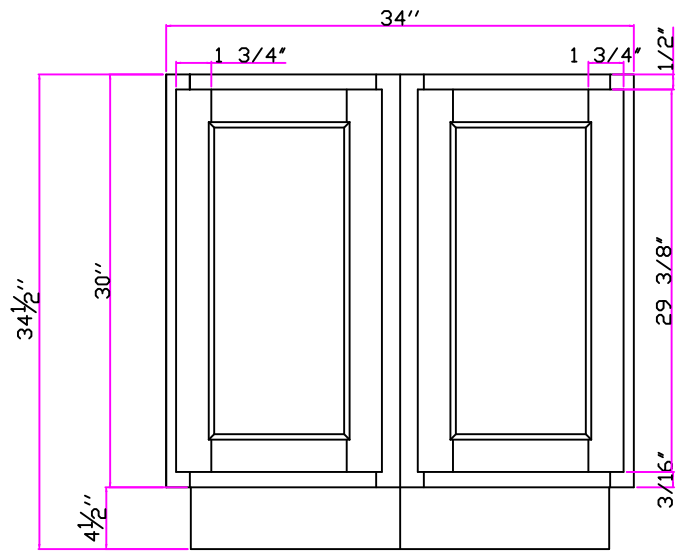


REVISIONS



FTS

DCB3612

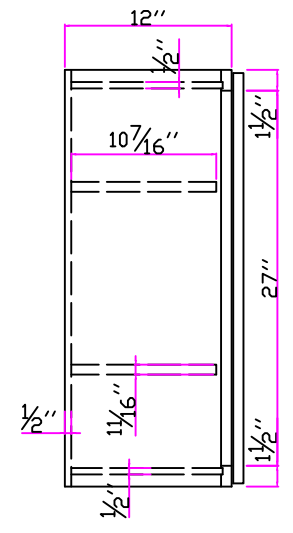
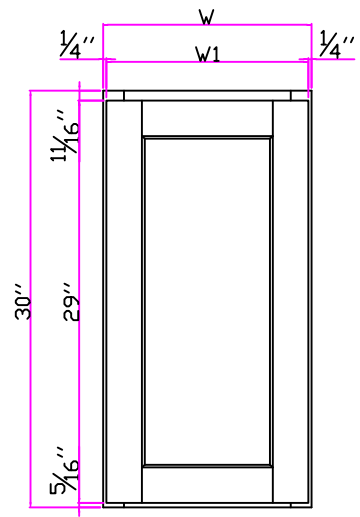


REVISIONS



FTS

BC24

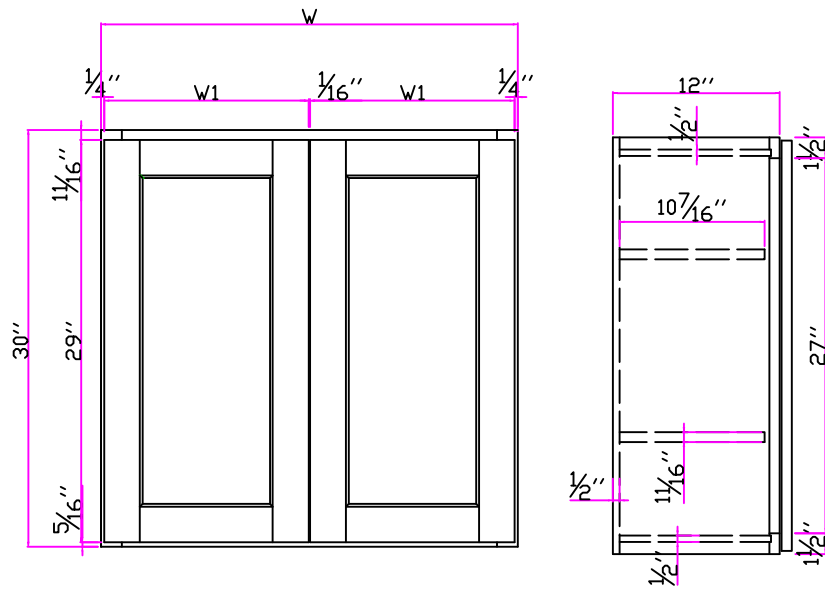


REVISIONS



FTS

W0930-W2130

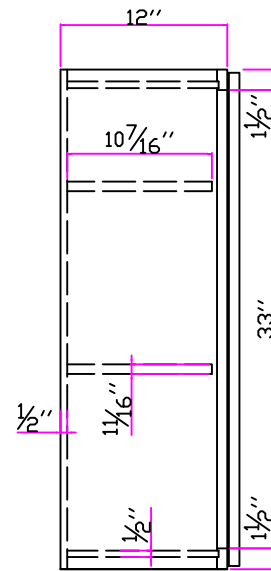
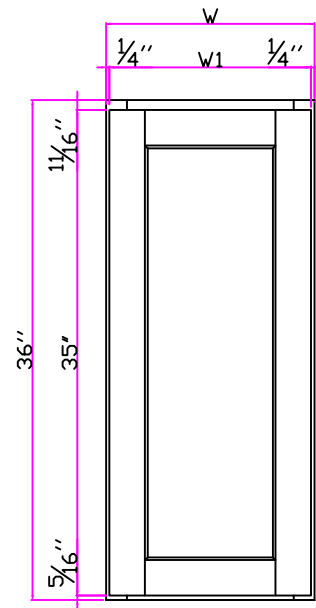


REVISIONS



FTS

W2430-W3630

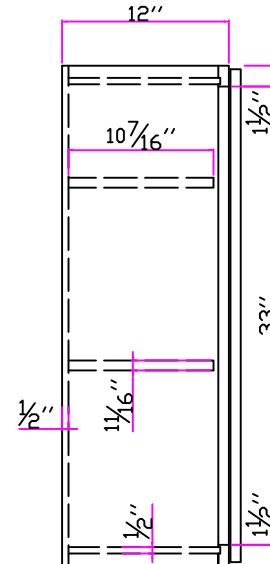
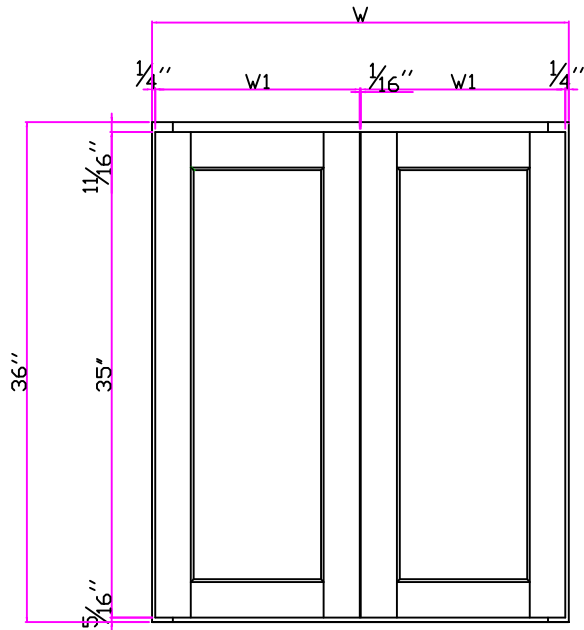


REVISIONS



FTS

W0936-2136

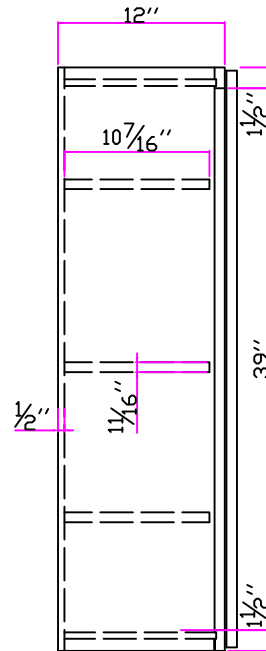
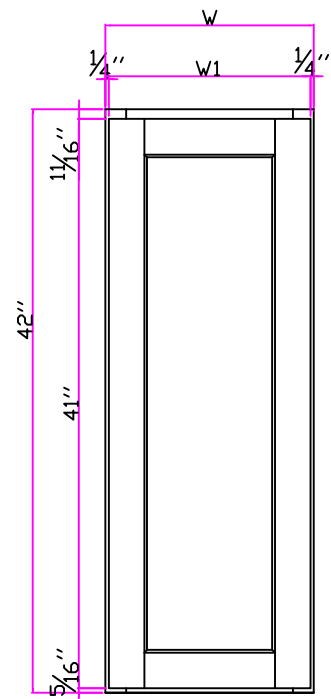


REVISIONS



FTS

W2436-W3636

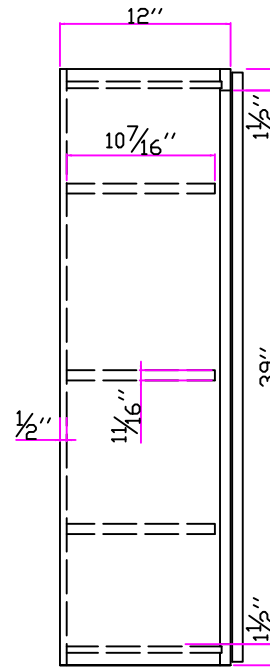
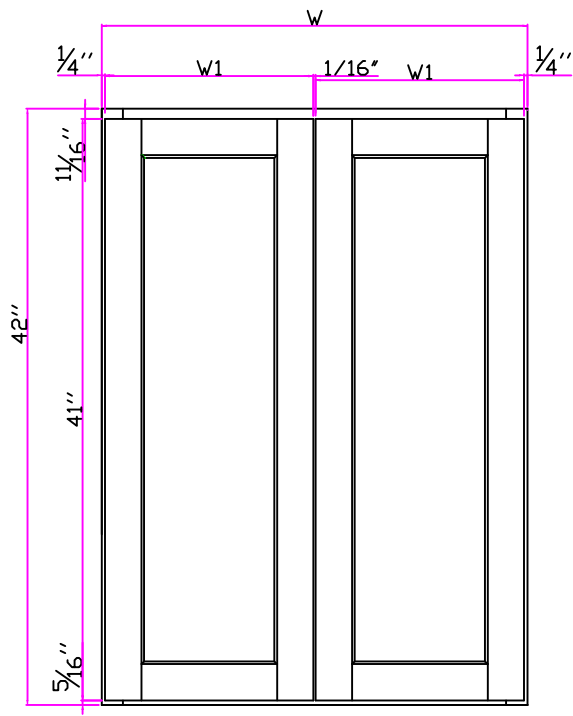


REVISIONS



FTS

W0942-W2142

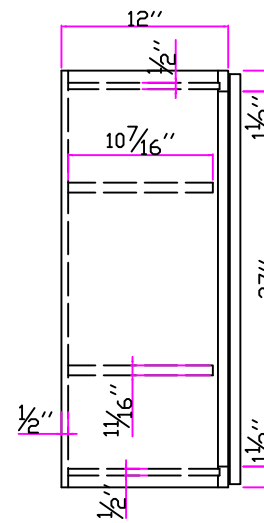
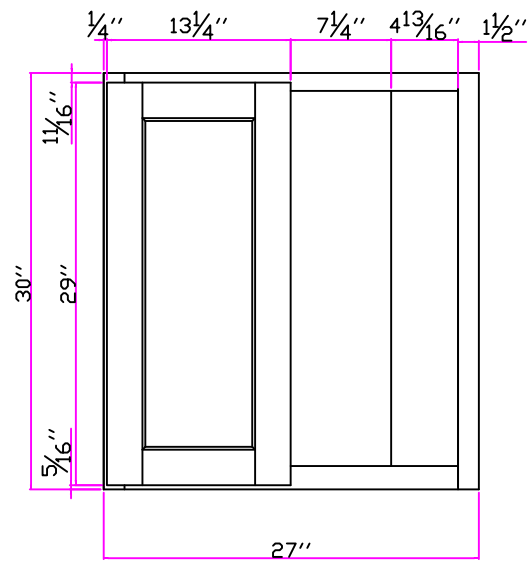


REVISIONS



FTS

W2442-W3642

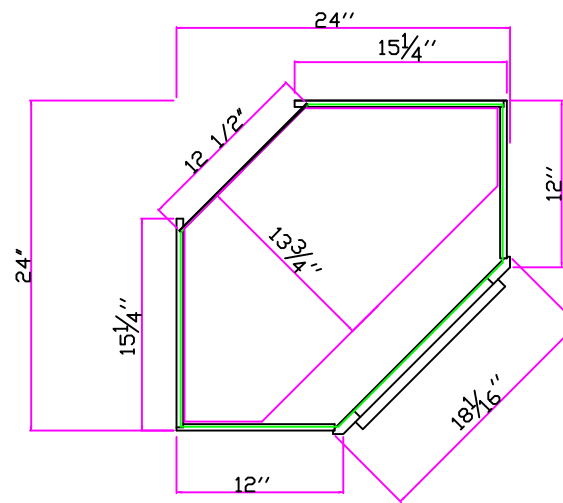
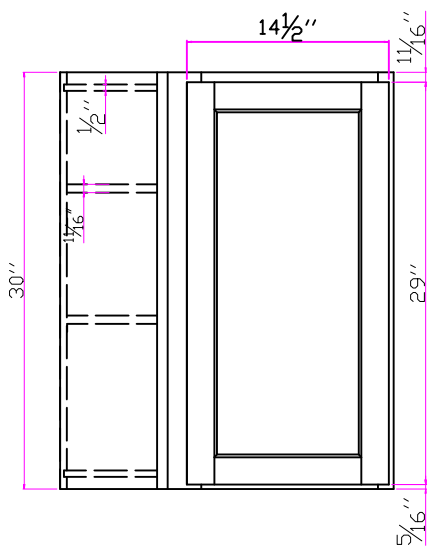


REVISIONS



FTS

WBC2730

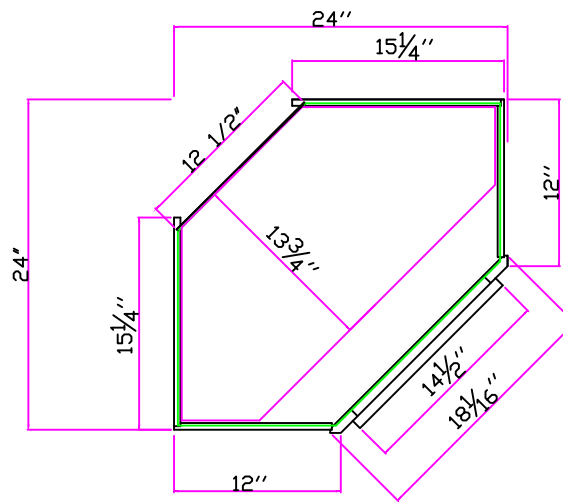
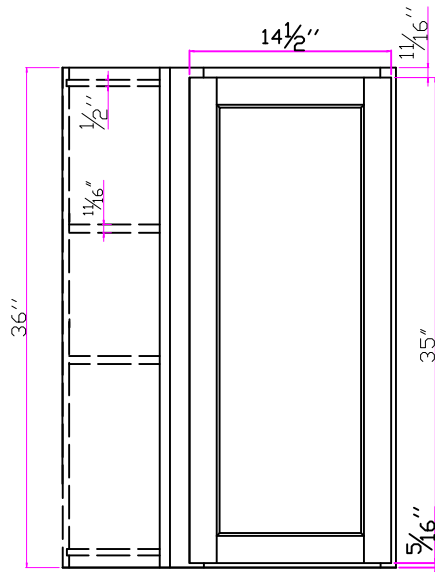


REVISIONS



FTS

WDC2430

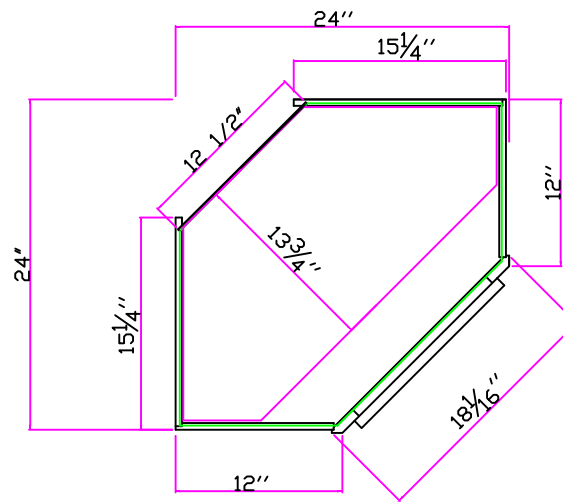
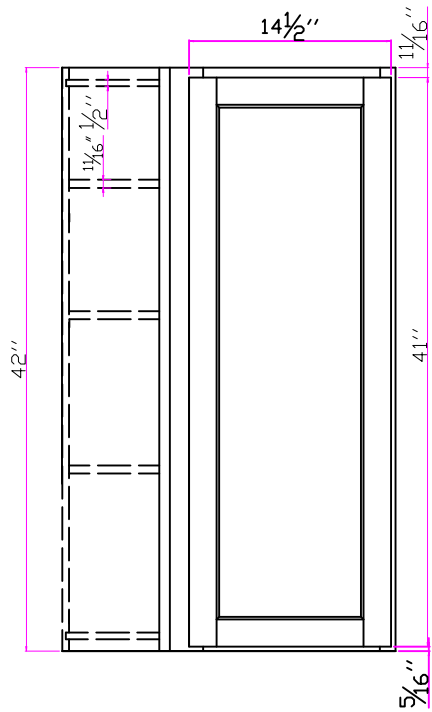


REVISIONS



FTS

WDC2436

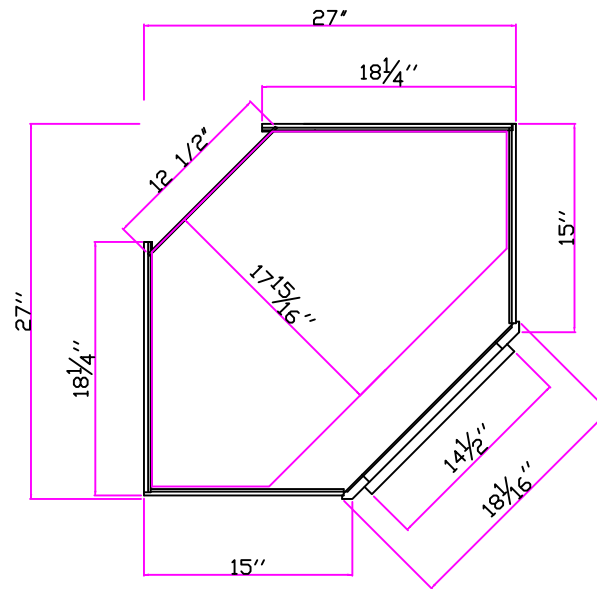
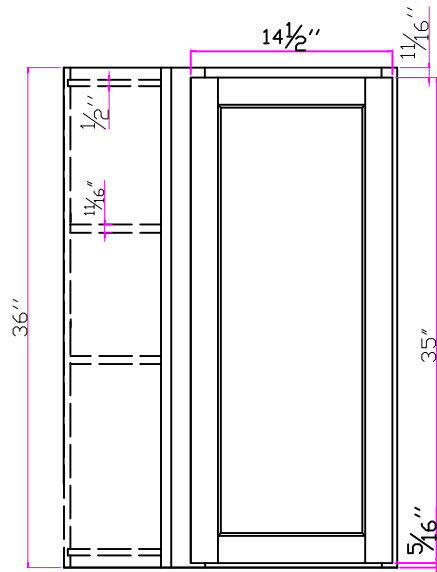


REVISIONS



FTS

WDC2442

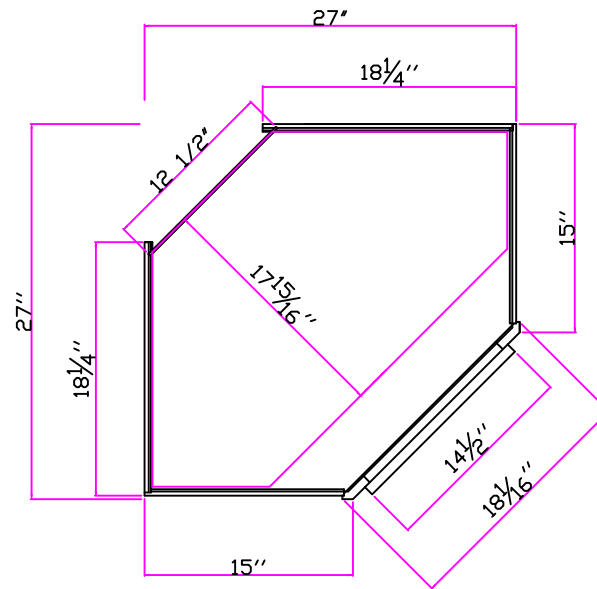
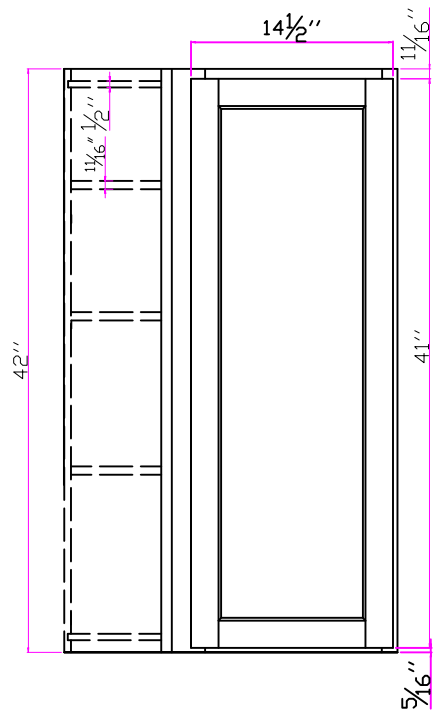


REVISIONS



FTS

WDC2736

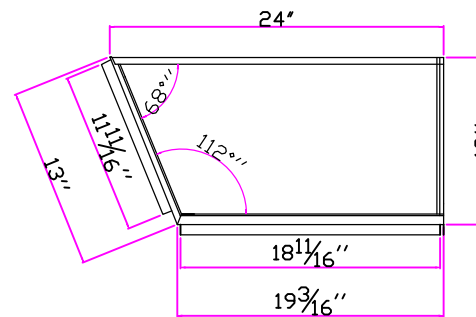
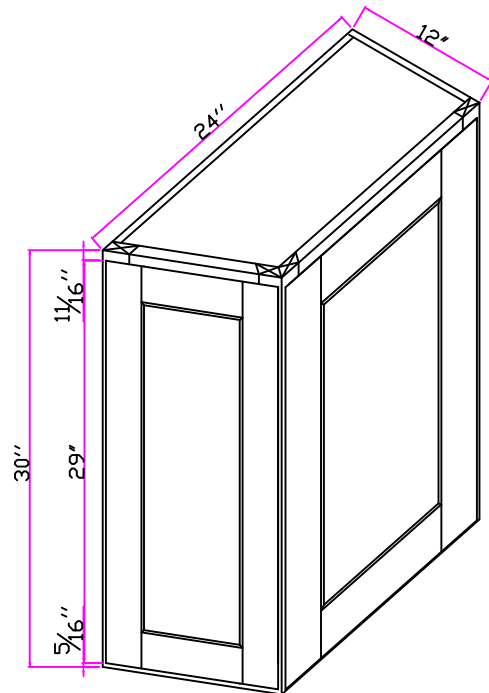


REVISIONS



FTS

WDC2742

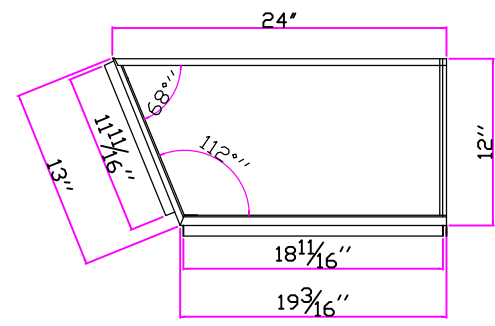
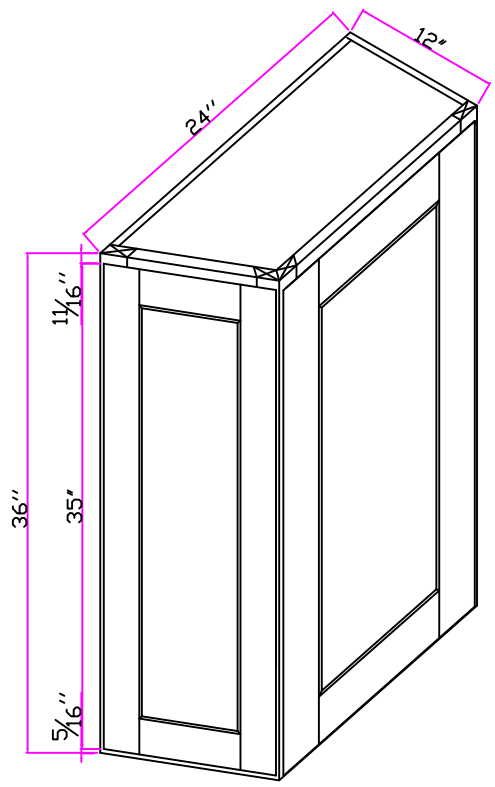


REVISIONS



FTS

WAC2430

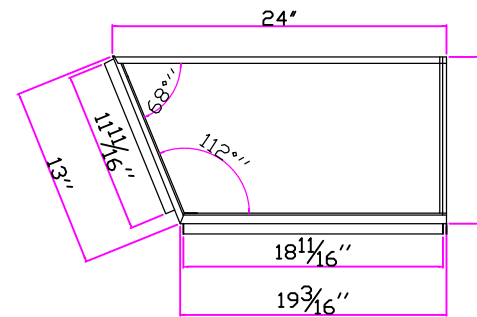
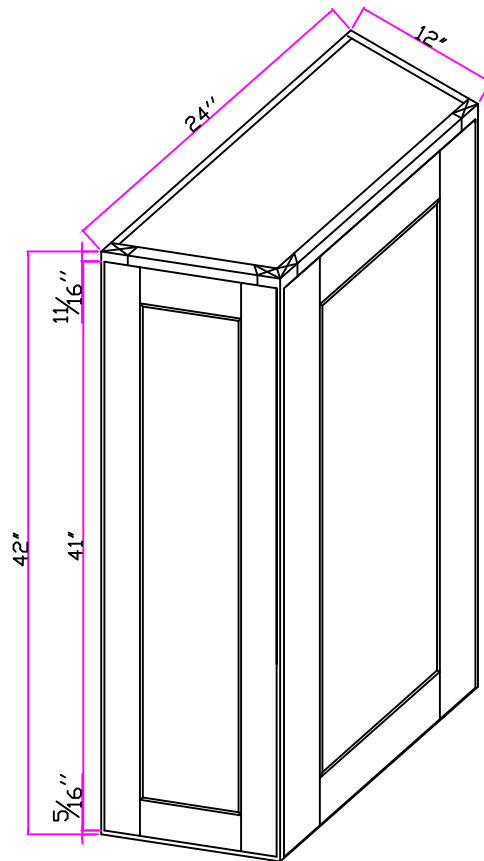


REVISIONS



FTS

WAC2436

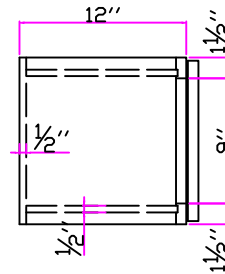
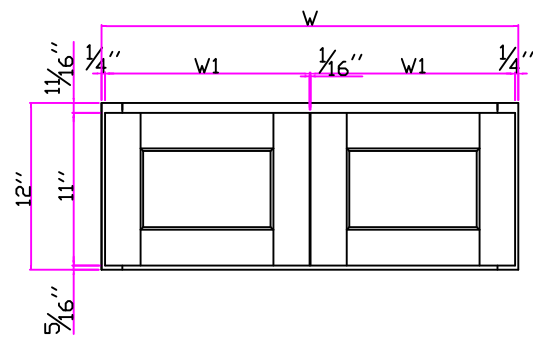


REVISIONS



FTS

WAC2442

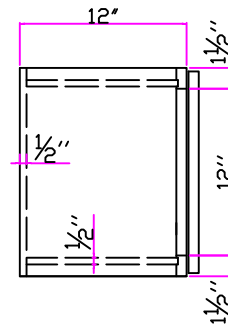
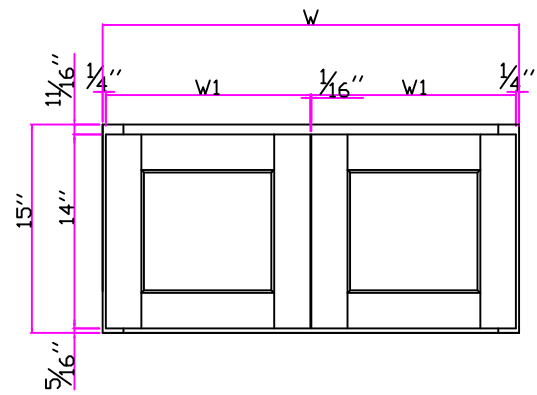


REVISIONS



FTS

W3012-W3612

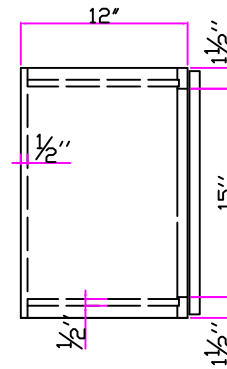
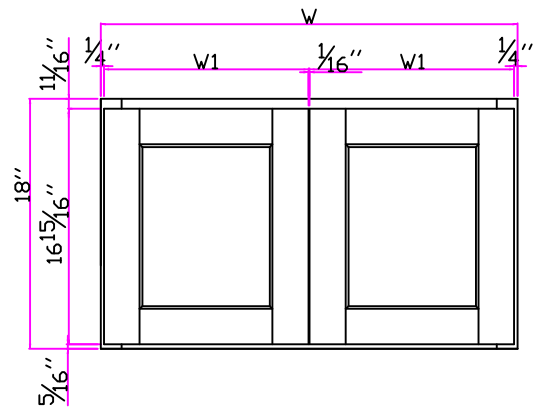


REVISIONS



FTS

W2415-W3615

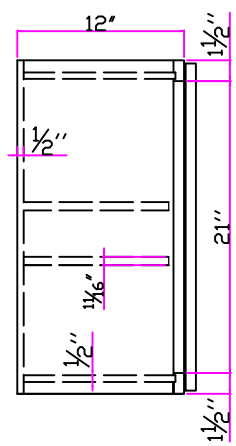
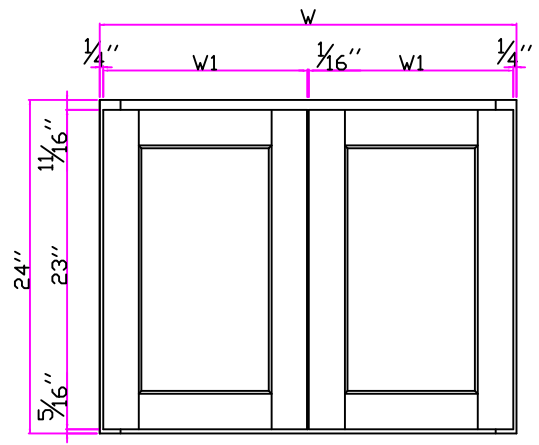


REVISIONS



FTS

W3018-W3618

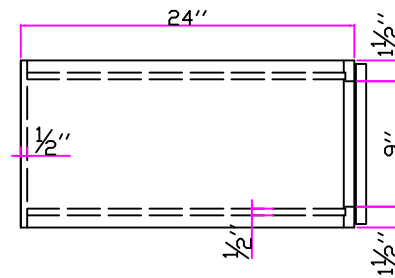
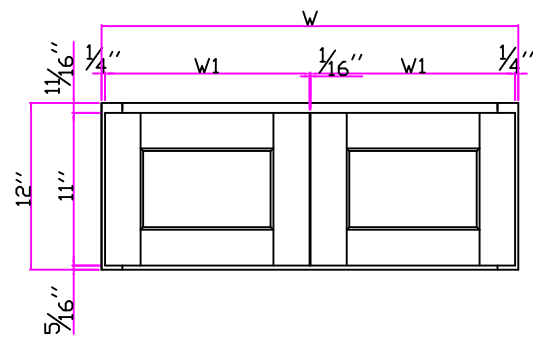


REVISIONS



FTS

W3024-W3624

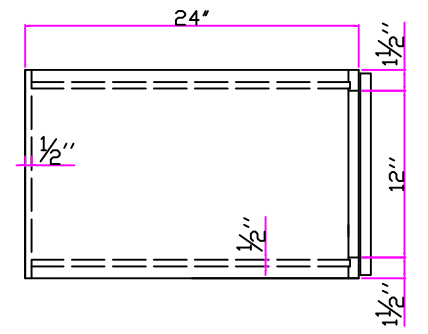
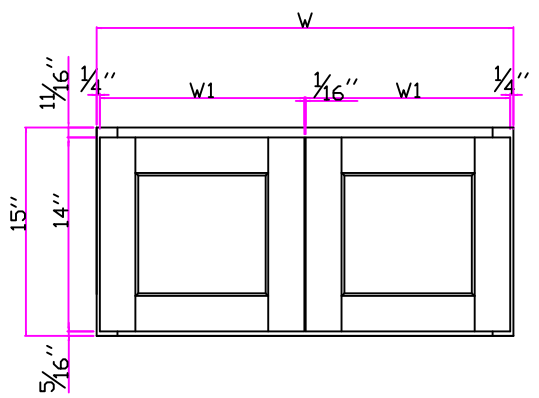


REVISIONS



FTS

W331224
W361224

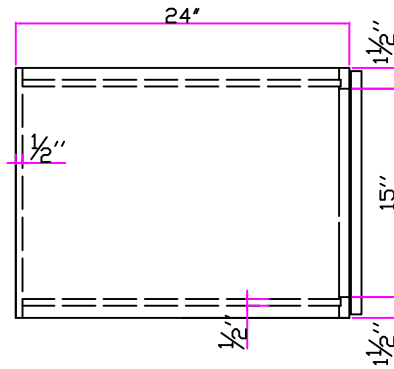
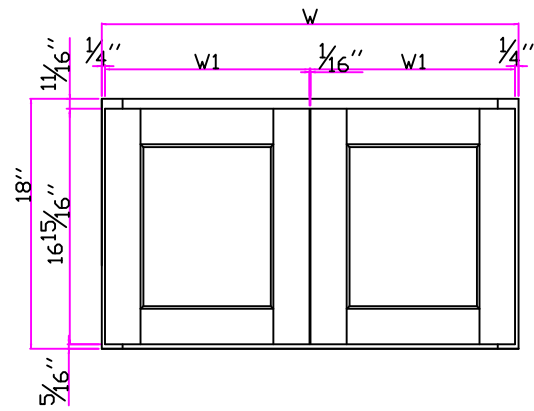


REVISIONS



FTS

W331524
W361524

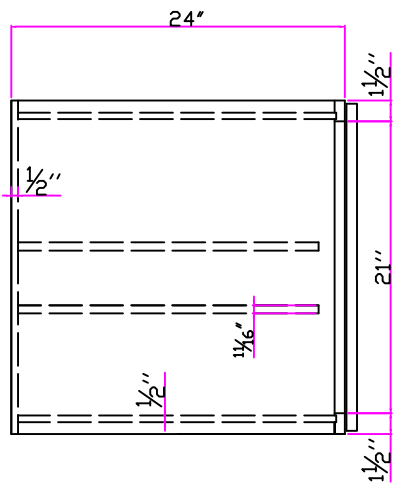
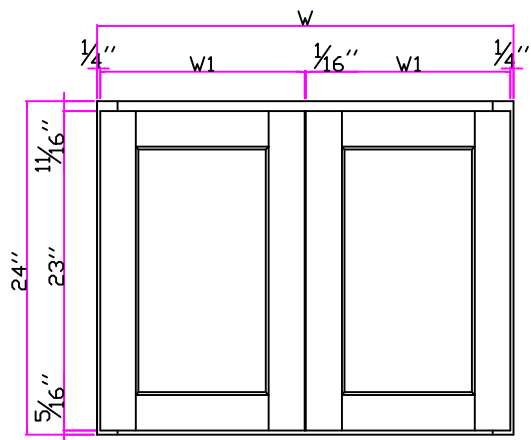


REVISIONS



FTS

W361824

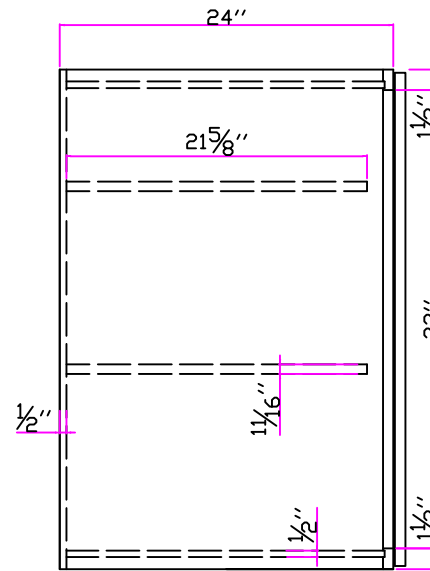
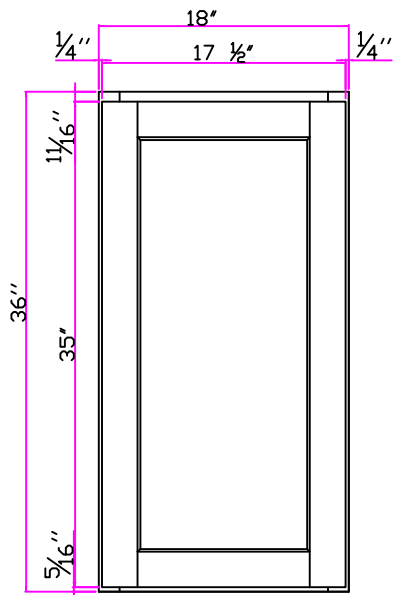


REVISIONS



FTS

W332424
W362424

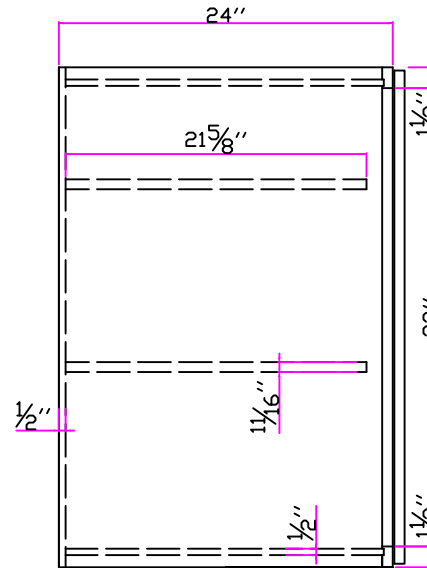
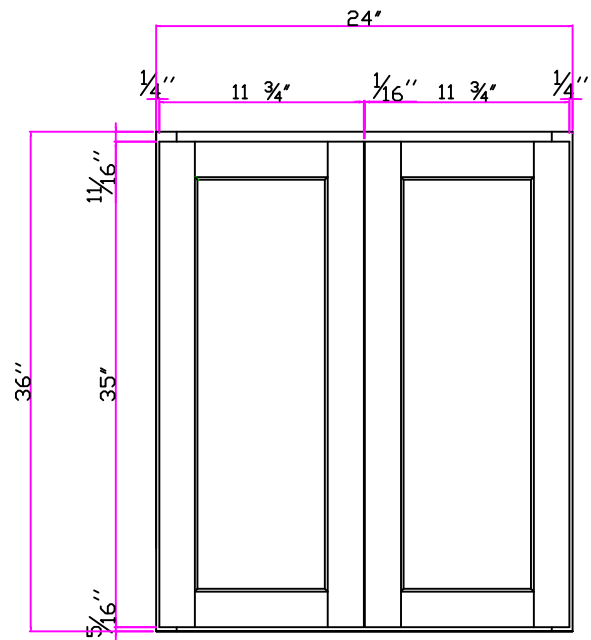


REVISIONS



FTS

W183624

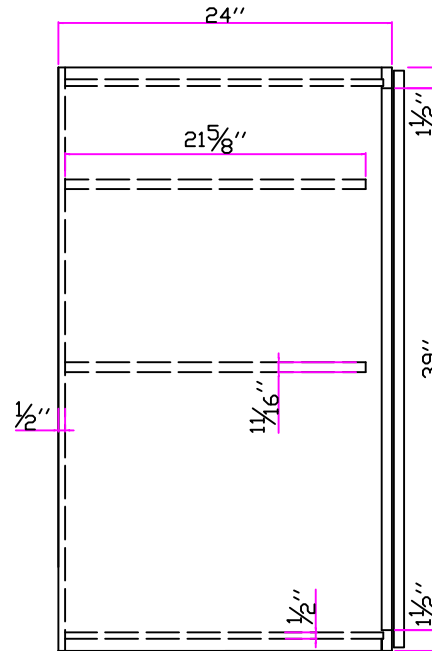
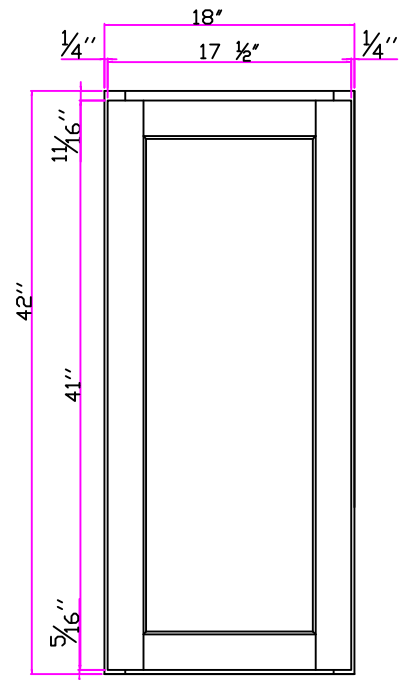


REVISIONS



FTS

W243624

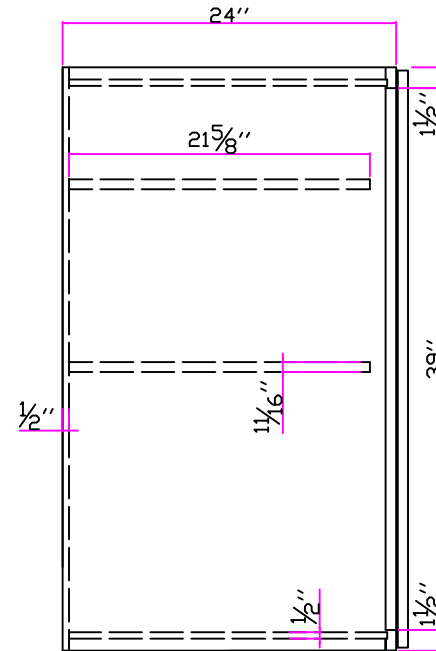
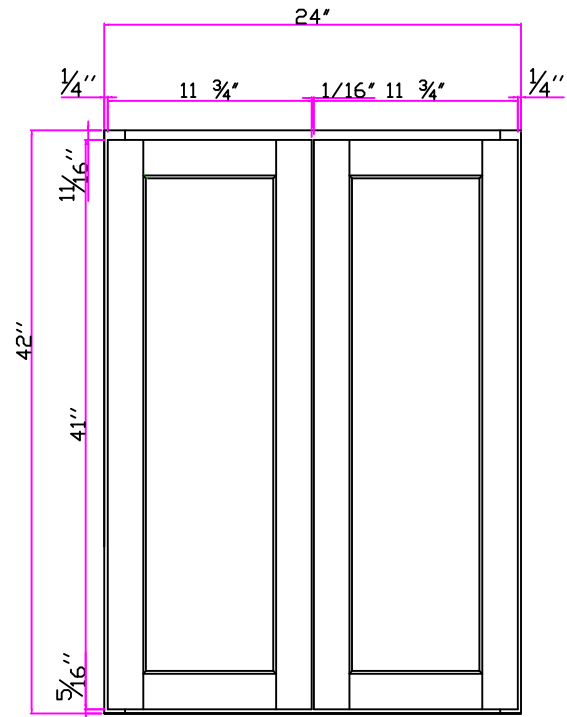


REVISIONS



FTS

W184224

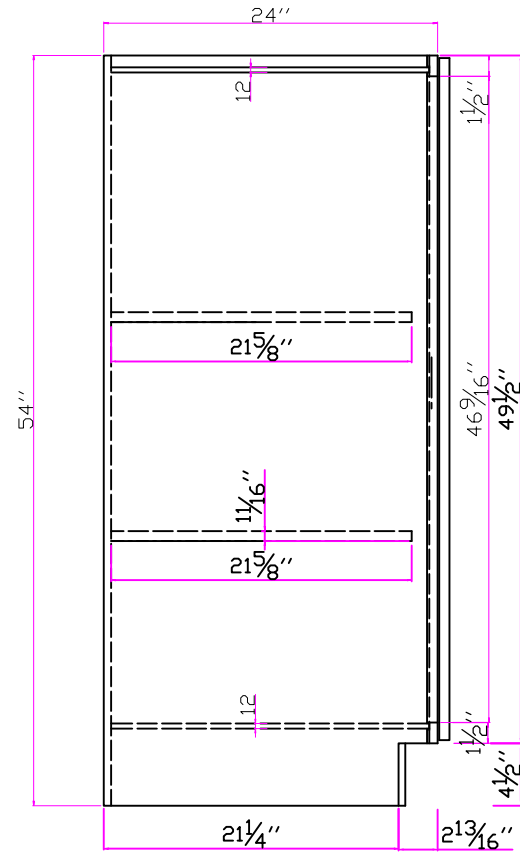
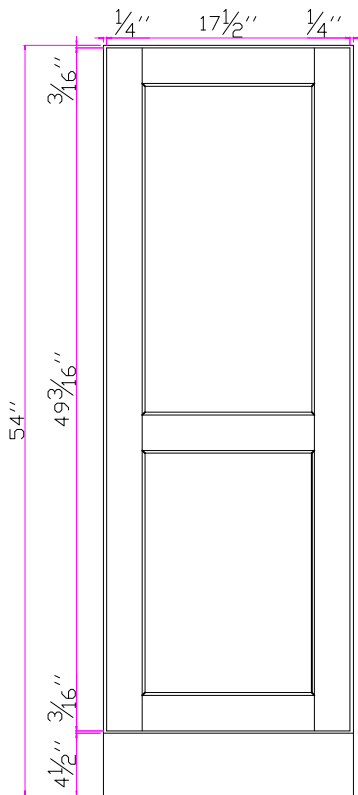


REVISIONS



FTS

W244224

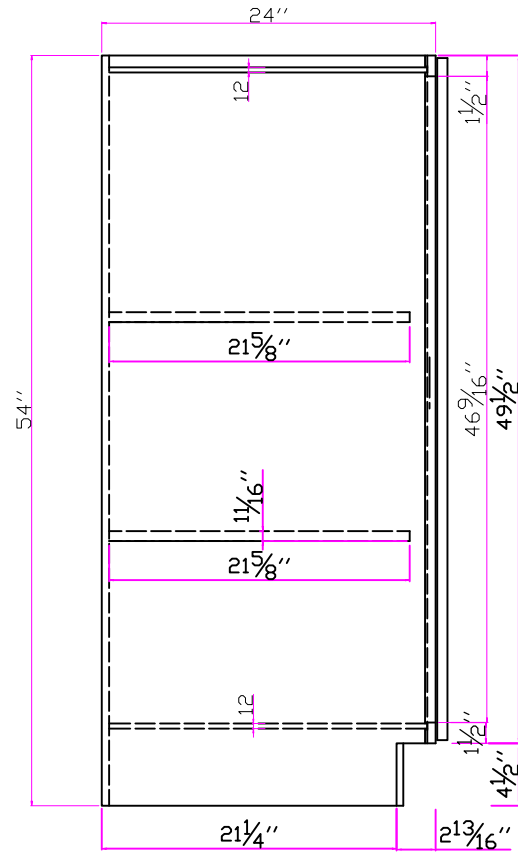
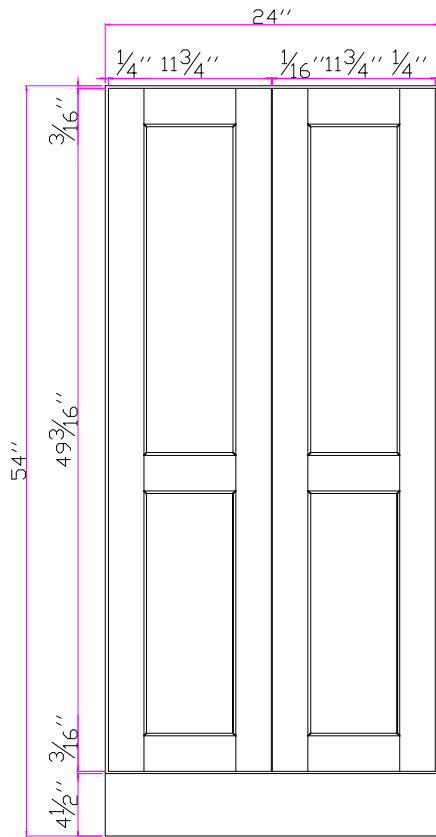


REVISIONS



FTS

UCB1854

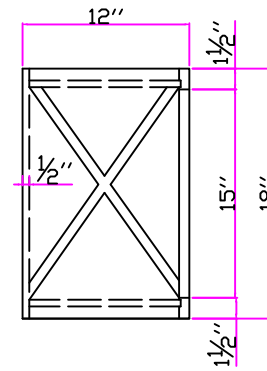
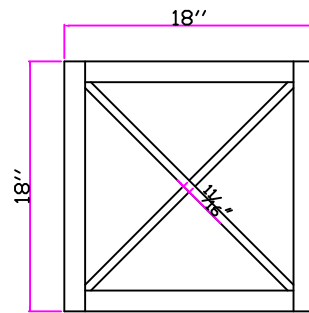


REVISIONS



FTS

UCB2454

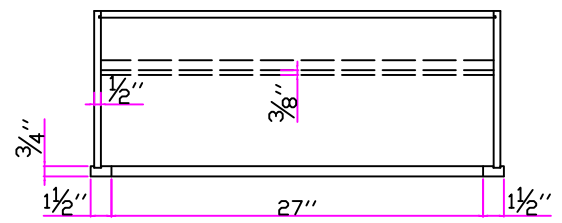
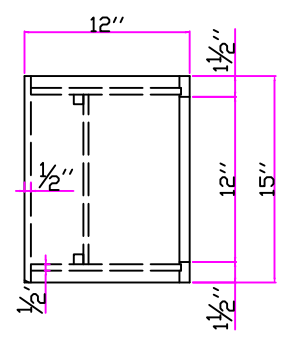
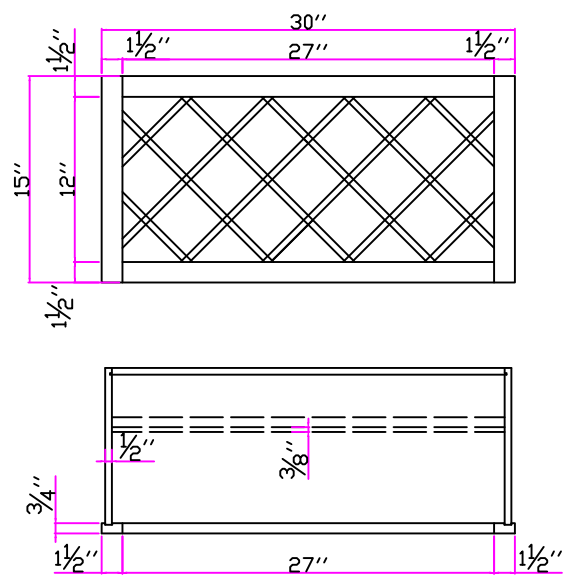


REVISIONS



FTS

WR1818

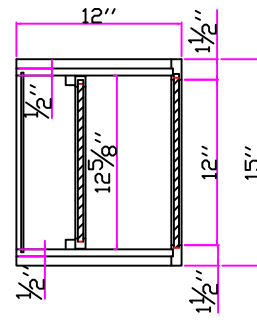
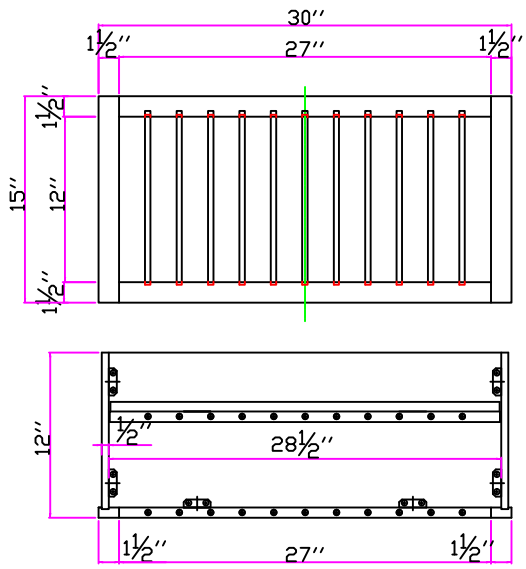


REVISIONS



FTS

WR3015



REVISIONS



FTS

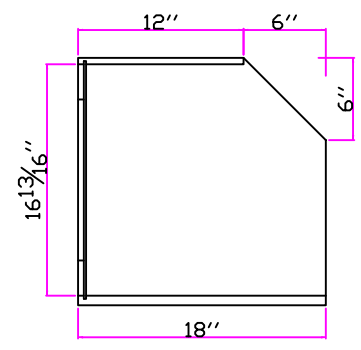
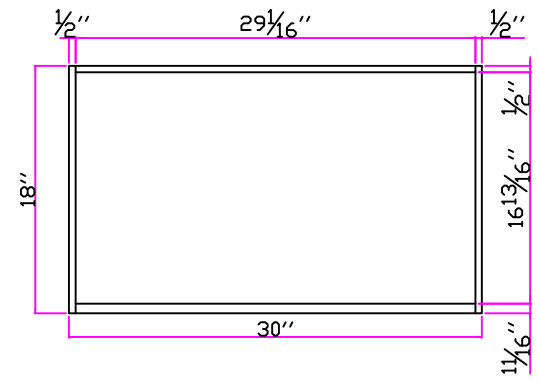
PR3015

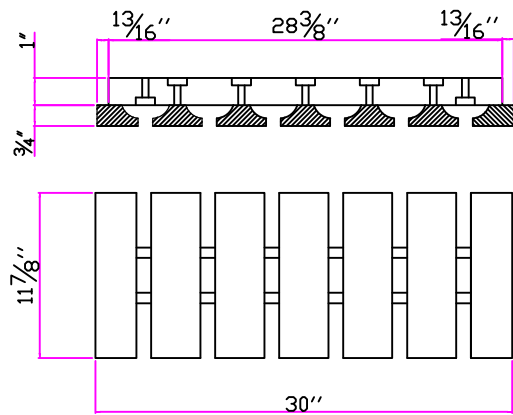
REVISIONS



FTS

MC3018



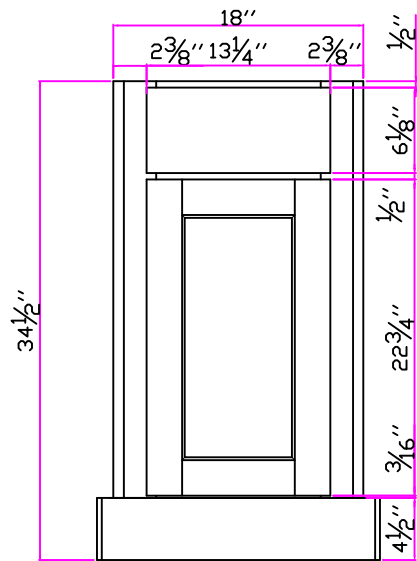


REVISIONS



FTS

SGH30



REVISIONS



FTS

CSF36

